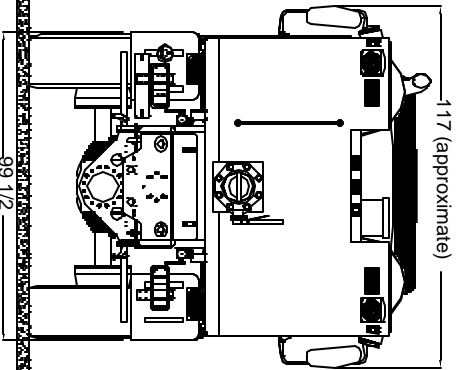


348 APPROXIMATE OAL (29'-0")

189 1/2 WB

- Notes:**
1. All dimensions given in inches unless otherwise noted
 2. All item locations and dimensions are preliminary and are subject to change
 3. Chassis: ATC w/ Tatra Technology
 4. Pump: Shown w/ Optional Odin Wild One CAFs
 5. Tank: 2400 gallon polypropylene w/ 50 gallon foam call



99 1/2

COMP	LENGTH	DEPTH	HEIGHT	VOLUME
C1	50"	24"	28"	21 ft ³
C2	96"	18"	18"	42 ft ³
C3	14"	17"	18"	2-1/2 ft ³
C4	69"	28"	12"	13-1/2 ft ³
C4	69"	28"	12"	13-1/2 ft ³
C4	69"	28"	12"	13-1/2 ft ³
C4	69"	28"	12"	13-1/2 ft ³

IMPORTANT NOTICE TO CUSTOMERS

THIS DRAWING IS FOR VISUAL REPRESENTATION ONLY. WRITTEN SPECIFICATIONS SUPERSEDE THIS DRAWING. THIS DRAWING IS TO BE USED AS A GUIDELINE ONLY. THE APPROXIMATE DIMENSIONS FOR THIS DRAWING ARE FOR INFORMATION ONLY. THE DIMENSIONS AND WEIGHTS ARE APPROXIMATE AND SUBJECT TO CHANGE WITHOUT NOTICE. THE DRAWING MUST BE SIGNED BY THE DESIGNER.



FIRE APPARATUS, CO.
 4303 W. 1900 N. - 45 PARKWAY IN 46718
 BRIDGE 781-546-5388 FAX 781-546-5310

PRN	MODEL	REVISION DATE	SCALE
PRN B.Y. B. LITLAND	668 WILDLAND ULTRA XT	08/25/05	SCALE FIT
DO NOT SCALE THIS DRAWING	DRAWING NUMBER	ATC CREW CAB	